

6. INSTALLATION OF OPTIONAL SCREEN DOOR KIT

CONNECTING DOOR ALARM TO SENSOR SWITCHES

READ THE DOOR ALARM MANUAL FOR INSTALLATION ON ONE DOOR FIRST: THE SENSOR WIRES ARE PERMANENTLY CONNECTED TO THE DOOR ALARM. CONNECT BOTH SENSOR WIRES COMING FROM THE DOOR ALARM TO THE SENSOR SWITCH ON THE DOOR FRAME. THEN USE THE SUPPLIED JUMPER WIRES TO CONNECT TO THE SCREEN DOOR SENSOR SWITCH (SEE DIAGRAM BELOW). THE TWO SENSORS SHOULD BE HOOKED UP IN PARELLEL WITH EACH OTHER.

- THE PLASTIC COVERS ON THE SENSOR SWITCHES & SENSOR MAGNET MUST BE REMOVED BEFORE INSTALLATION
- SWITCHES GO ON THE FRAME BY THE DOOR
- MAGNETS GO ON THE DOOR ITSELF – SEE PICTURE IN MANUAL

EQUIPMENT NEEDED

- ONE DOOR ALARM AND 2 MOUNTING SCREWS
- ONE SET OF SENSOR SWITCH AND SENSOR MAGNET AND 4 SCREWS FOR DOOR FRAME & DOOR
- ONE SET OF SENSOR SWITCH AND SENSOR MAGNET, JUMPER WIRES, AND 4 SCREWS
– FOR SCREEN DOOR FRAME AND SCREEN DOOR

IF YOU HAVE ANY QUESTIONS CALL US AT 1-800-242-7163

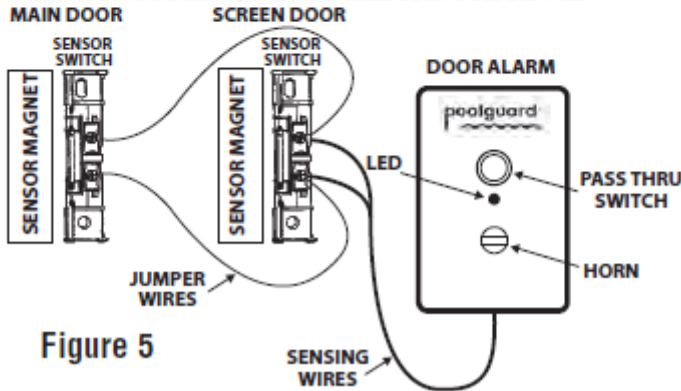


Figure 5